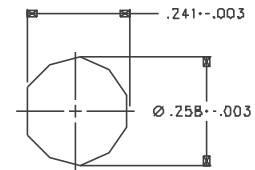
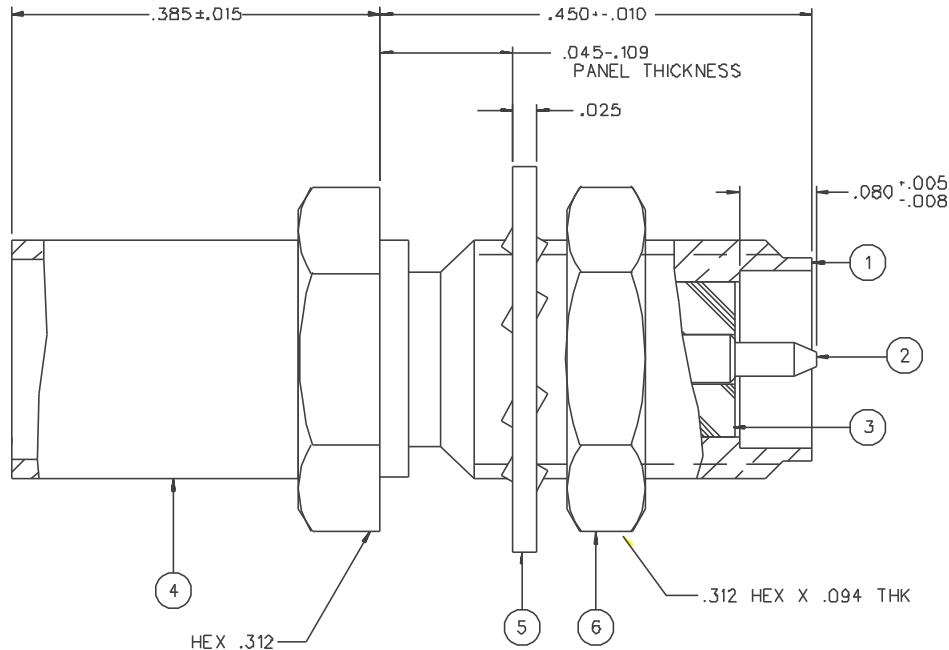


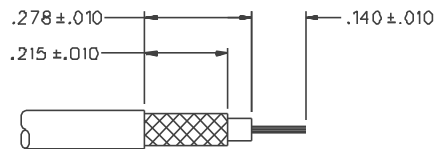
PART NUMBER	ITEM ① BODY	ITEM ② CONTACT	ITEM ③ INSULATOR	ITEM ④ CRIMP SLEEVE	ITEM ⑤ LOCKWASHER	ITEM ⑥ NUT
142-4307-401	BRASS GOLD PL .00001 MIN OVER NICKEL PL .00005 MIN OVER COPPER PL .00005 MIN	BRASS GOLD PL .00005 MIN OVER NICKEL PL .00005 MIN OVER COPPER PL .00005 MIN	TEFLON	COPPER GOLD PL .00001 MIN OVER NICKEL PL .00005 MIN OVER COPPER PL .00005 MIN	PHOSPHOR BRONZE GOLD PL .00001 MIN OVER NICKEL PL .00005 MIN OVER COPPER PL .00005 MIN	BRASS GOLD PL .00001 MIN OVER NICKEL PL .00005 MIN OVER COPPER PL .00005 MIN
142-4307-406	BRASS NICKEL PL .0001 MIN OVER COPPER PL .00005 MIN	BRASS GOLD PL .00005 MIN OVER NICKEL PL .00005 MIN OVER COPPER PL .00005 MIN	TEFLON	COPPER NICKEL PL .0001 MIN OVER COPPER PL .00005 MIN	PHOSPHOR BRONZE NICKEL PL .0001 MIN OVER COPPER PL .00005 MIN	BRASS NICKEL PL .0001 MIN OVER COPPER PL .00005 MIN

DRAWING NO. C - 142-4307-401/410	
0 REVISIONS	
ENGINEERING RELEASE	
1	10-2-98 R H S I T N P 12-2-98 CHANGED: VSWR 1.17-.02 F WAS 1.15-.012 F
1a	10-2-98 R H S I T N P 12-2-98 ECN 46619
PHOSPHOR BRONZE WAS BRASS .109 WAS .125 .025 WAS .032 .094 WAS .062 ADDED: LOCL, UPDATED VIEWS	
2	6-5-01 R H S I T N P 12-2-98 ECN 48035
THICKWALL STEM TIP UPDATE. ***** * REVISION NUMBER FOLLOWED BY AN ALPHA * * CHARACTER INDICATES DRAWING CLARIF. * * CATION OR PART NUMBER ADDITION ONLY. * *****	
2a	2-13-02 R H S I T N P 12-2-98 ECN 48250



MOUNTING HOLE

4:1



CABLE STRIP DIMENSIONS

4:1

NOTES:

1. SPECIFICATIONS:

IMPEDANCE: 50 OHMS
FREQUENCY RANGE: 0-12.4 GHz
VSWR: 1.17-.02 F MAX (F IN GHz)
WORKING VOLTAGE: 335 VRMS MAX AT SEA LEVEL
DIELECTRIC WITHSTANDING VOLTAGE: 1000 VRMS MIN AT SEA LEVEL
INSULATION RESISTANCE: 5000 MEGOHM MIN
CONTACT RESISTANCE:

CENTER CONTACT - INITIAL 3.0 MILLIOHM MAX, AFTER ENVIRONMENTAL 4.0 MILLIOHM MAX
OUTER CONDUCTOR - INITIAL 2.0 MILLIOHM MAX
AFTER ENVIRONMENTAL NOT APPLICABLE
BODY TO CABLE - 0.5 MILLIOHM MAX (GOLD PLATED)
5.0 MILLIOHM MAX (NICKEL PLATED)

CORONA LEVEL: 250 VOLTS MIN AT 70,000 FEET
INSERTION LOSS: .06 V/F MAX (F IN GHz) AT 6 GHz
RF LEAKAGE: -60 DB MIN AT 2.5 GHz
RF HIGH POTENTIAL WITHSTANDING VOLTAGE: 670 VRMS MIN AT 4 AND 7 MHz

MECHANICAL:

ENGAGE/DISENGAGE TORQUE: 2 INCH-POUNDS MAX
MATING TORQUE: 7-10 INCH POUNDS
COUPLING PROOF TORQUE: NOT APPLICABLE
COUPLING NUT RETENTION: NOT APPLICABLE
CONTACT RETENTION: 6 LBS MIN AXIAL FORCE
CABLE ACCEPTABILITY: RG 58/U, RG 141/U, RG 303/U
CABLE HEX CRIMP SIZE: .213
CONTACT CRIMP TOOL: MIL M22520/1-01
CABLE RETENTION: 40 LBS MIN AXIAL FORCE
DURABILITY: 500 CYCLES MIN

ENVIRONMENTAL:

(MEETS OR EXCEEDS THE APPLICABLE PARAGRAPH OF MIL-C-39012)
THERMAL SHOCK: MIL-STD-202, METHOD 107, CONDITION B, EXCEPT B5° C HIGH TEMP
OPERATING TEMPERATURE: -65 DEG C TO 165 DEG C
CORROSION: MIL-STD-202, METHOD 101, CONDITION B
SHOCK: MIL-STD-202, METHOD 213, CONDITION I
VIBRATION: ML-STD-202, METHOD 204, CONDITION D
MOISTURE RESISTANCE: MIL-STD-202, METHOD 106

CUSTOMER DRAWING

THIS DRAWING TO BE INTERPRETED PER ANSI Y 14.5M - 1982

"μSTATION"

COMPANY CONFIDENTIAL

TOLERANCE UNLESS OTHERWISE SPECIFIED	DRAWN BY SWC	DATE 6-18-98		299 Johnson Ave. P.O. Box 1732 Waseca, MN 56093-0832	
DECIMALS	CHECKED BY SWC	DATE 11-2-98		TITLE JACK ASSEMBLY, STRAIGHT CABLED BULKHEAD, REVERSE POLARITY SMA, RG 58	
.XXX REF	APPROVED BY TAK	DATE 11-6-98	CODE NO.	DRAWING NO. C - 142-4307-401/410	
MATL	APPROVED BY RJB	DATE 11-12-98	SCALE 10:1	W/M INCH	SHEET 2 OF 2
FINISH	RELEASE DATE	12-2-98			